



P.N./Revision

T100A045,T100A045-  
2,T100A045-3/D

Data Sheet

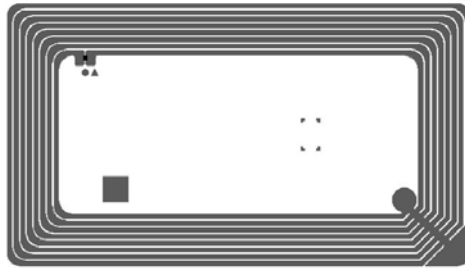
Page

1/4

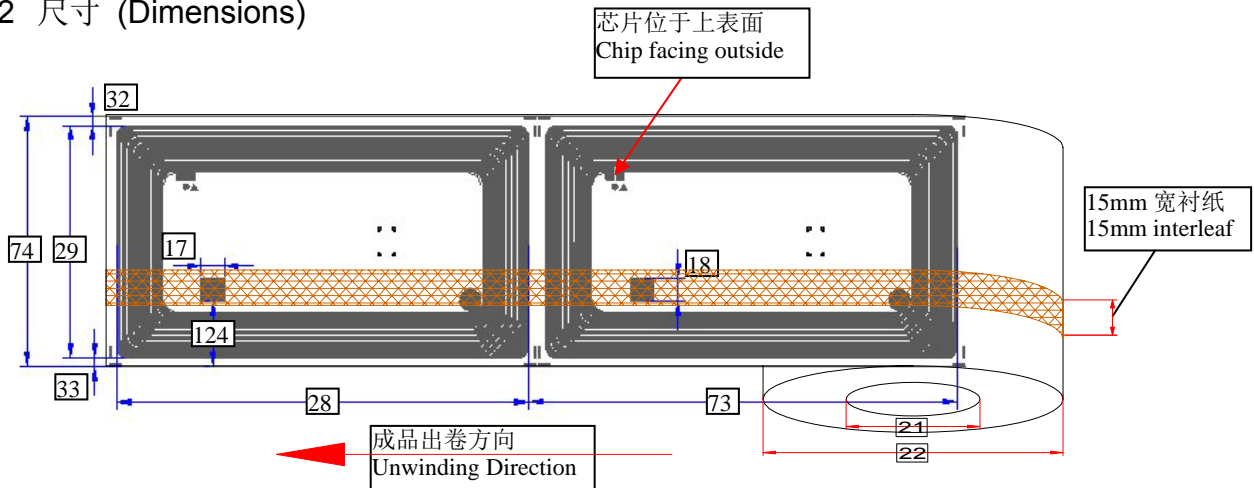
## AZ-U+Ultralight C Dry Inlay

### 1. 物理特性 (Mechanical Characteristics)

#### 1.1 外形 (Dry Inlay)



#### 1.2 尺寸 (Dimensions)



编号 No.	项目(Item)	特性参数 Parameter(mm)
17	Mark 长度 Mark Length	4.00±0.20
18	Mark 宽度 Mark Width	4.00±0.20
124	Mark 下边缘到 PET 下边缘距离 Mark to PET (Bottom)	11.50±1.00
21	纸芯管内径 Core ID	6.04inch(153.42±0.50)
22	成品外径 Roll OD	≤ 390.00
28	天线长度 Antenna Length	72.60±0.20
29	天线宽度 Antenna Width	41.00±0.20
32	天线上边缘到 PET 上边缘距离 Antenna to PET (Top)	1.50±1.00
33	天线下边缘到 PET 下边缘距离 Antenna to PET (Bottom)	1.50±1.00
73	天线节距 Antenna Pitch	75.60±0.50
74	基材宽度 PET Width	44.00±1.00

本文件权属永道无线射频标签（扬州）有限公司,未经永道无线射频标签（扬州）有限公司许可,不得复制,转寄等一切侵权活动。

THE INFORMATION CONTAINED ON THIS DOCUMENT IS CONSIDERED TO BE CONFIDENTIAL MATERIAL PROPRIETARY TO ARIZON RFID TECHNOLOGY (YANGZHOU) CO., LTD. AND THIS INFORMATION SHALL NOT BE DISCLOSED, DUPLICATED OR COPIED FOR ANY PURPOSE. NOR MADE AVAILABLE FOR ANY THIRD PARTY WITHOUT THE PRIOR CONSENT TO ARIZON.



<b>P.N./Revision</b>	<b>Data Sheet</b>	<b>Page</b>
<b>T100A045,T100A045-2,T100A045-3/D</b>		<b>2/4</b>

### 1.3 各 inlay 区分表

Dry inlay 料号	天线厂商 Antenna Supplier	导电胶型号
<u>T100A045</u>	<u>CN0120</u>	<u>TPDA0002</u>
<u>T100A045-2</u>		<u>TPDA0006</u>
<u>T100A045-3</u>	<u>CN0723</u>	<u>TPDA0002</u>

## 2. 电气特性 (Electrical Characteristics)

项目 (Item)	描述 (Description)	备注 (Remarks)
制造商 / 芯片 Manufacture / IC	NXP/Ultralight C	
符合标准 Protocol	ISO 14443A	
内存 Memory	1536Bits	可读可写 Read & Write
基材材质 Base Material	PET	
天线制程方式 Antenna	铝蚀刻 Al(30μm)+PET(38μm)+Al过桥(10μm) Al Etching Al(30μm)+PET(38μm)+Al bridge (10μm)	

## 3. 环境要求 (Environmental Requirement)

**操作温度(Operating Temperature/Humidity):** [-40°C to +70°C] 20% to 90% RH Non-condensing;

**适用温度(Storage):** [-25°C to +50°C] 20% to 90% RH Non-condensing;

**成品保质期 (Shelf Life):** 使用防静电袋密封包装、在+23°C±5°C / 50%±10%RH 条件下 2 年。

From the date of manufacture, 2 year in vacuumed bag at +23°C±5°C / 50%±10%RH)。

**声明:** 以上环境要求的建议基于我司最新的知识和现有经验基础上, 本公司保留产品最终解释权。

**Disclaimer:** Our recommendations are based on our latest knowledge and experience, we reserve all rights for final explanation.

本文件权属永道无线射频标签（扬州）有限公司, 未经永道无线射频标签（扬州）有限公司许可, 不得复制, 转寄等一切侵权活动。

**THE INFORMATION CONTAINED ON THIS DOCUMENT IS CONSIDERED TO BE CONFIDENTIAL MATERIAL PROPRIETARY TO ARIZON RFID TECHNOLOGY (YANGZHOU) CO., LTD. AND THIS INFORMATION SHALL NOT BE DISCLOSED, DUPLICATED OR COPIED FOR ANY PURPOSE. NOR MADE AVAILABLE FOR ANY THIRD PARTY WITHOUT THE PRIOR CONSENT TO ARIZON.**



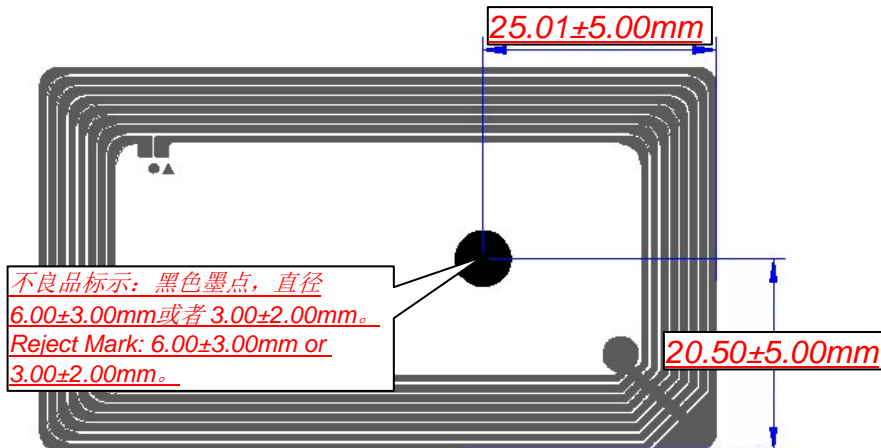
P.N./Revision	Data Sheet	Page
T100A045,T100A045-2,T100A045-3/D		3/4

#### 4. 作业使用警示 ( Handling Precautions)

4.1 标记有黑色墨点的为不良品，请勿使用。废标位置如下图所示。

Inlays with ink marks are bad ones. DO NOT USE.

The position of the mark is shown as below.



4.2 搬运及使用防水、禁止剧烈撞击、禁止挤压或弯折芯片部分。

Keep away from water and collision. DO NOT BEND.

#### 5. 包装 (Packaging)

下图为参考包装图：防静电夹链袋包装；8,000±100 Pcs/卷,2 卷/箱(以实际出货为准)。

Reference Packing: Static-free bag with zipper; 8,000±100 Pcs/roll, 2rolls/ctn

(Actual Qty as per Shipping Mark)



本文件权属永道无线射频标签（扬州）有限公司,未经永道无线射频标签（扬州）有限公司许可,不得复制,转寄等一切侵权活动。

THE INFORMATION CONTAINED ON THIS DOCUMENT IS CONSIDERED TO BE CONFIDENTIAL MATERIAL PROPRIETARY TO ARIZON RFID TECHNOLOGY (YANGZHOU) CO., LTD. AND THIS INFORMATION SHALL NOT BE DISCLOSED, DUPLICATED OR COPIED FOR ANY PURPOSE. NOR MADE AVAILABLE FOR ANY THIRD PARTY WITHOUT THE PRIOR CONSENT TO ARIZON.



<b>P.N./Revision</b>	<b>Data Sheet</b>	<b>Page</b>
<b>T100A045,T100A045-2,T100A045-3/D</b>		<b>4/4</b>

### 变更履历

### Revision History

<b>成品料号 Item Number</b>	<b>T100A045,T100A045-2,T100A045-3</b>		
<b>修改历史 Modification history:</b>			
<b>日期 Date</b>	<b>修改人 Person</b>	<b>版本 version</b>	<b>修改 Modification</b>
9/24/12	胡小月 Hu xiaoyue	A	新订 version
4/19/13	胡小月 Hu xiaoyue	B	更改收卷数量、收卷方式等
7/2/13	胡小月 Hu xiaoyue	C	更改衬纸宽度
8/25/15	胡小月 Hu xiaoyue	D	更改料号及墨点定位公差

本文件权属永道无线射频标签（扬州）有限公司,未经永道无线射频标签（扬州）有限公司许可,不得复制,转寄等一切侵权活动。

**THE INFORMATION CONTAINED ON THIS DOCUMENT IS CONSIDERED TO BE CONFIDENTIAL MATERIAL PROPRIETARY TO ARIZON RFID TECHNOLOGY (YANGZHOU) CO., LTD. AND THIS INFORMATION SHALL NOT BE DISCLOSED, DUPLICATED OR COPIED FOR ANY PURPOSE. NOR MADE AVAILABLE FOR ANY THIRD PARTY WITHOUT THE PRIOR CONSENT TO ARIZON.**